

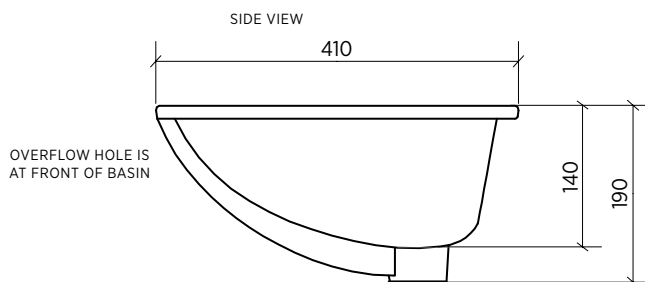
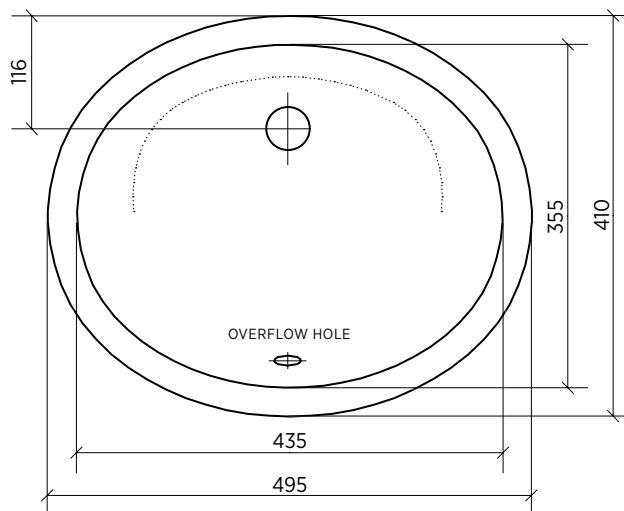
CHIOS SBC-203B



Under counter basin, oval

This oval undermount basin offers classic styling with generous bowl capacity. Suits solid surface benchtops.

- | | |
|------------|---|
| ORDER CODE | SBC-203B |
| TAPHOLE | No taphole. |
| WASTE | Suits 32 mm waste (not supplied). |
| CAPACITY | 11 litres. |
| OVERFLOW | Overflow is located at front of basin. |
| MATERIAL | White vitreous china. |
| FIXING | Refer to benchtop manufacturer's instructions for fixing basin to benchtop. |
- Use acetic cured silicone sealant. **Do not use epoxy type adhesives.**
Always use the actual basin to verify cutout.



Please note

- All measurements are in millimetres.
- Dimensions are nominal and subject to normal ceramic manufacturing variations of ± 5 mm.
- Fixing: Use acetic cured silicone sealant. Do not use epoxy type adhesives.
- Always use the actual basin to verify cutout.
- Specifications may vary without notice as part of our continuous improvement practices.
- Clean with a damp cloth. Do not use abrasive cleaners, liquids or pastes.